

97-30 Draw Latch

Over-center

Features

- Compact latch
- Multiple keeper options for application variances

Material

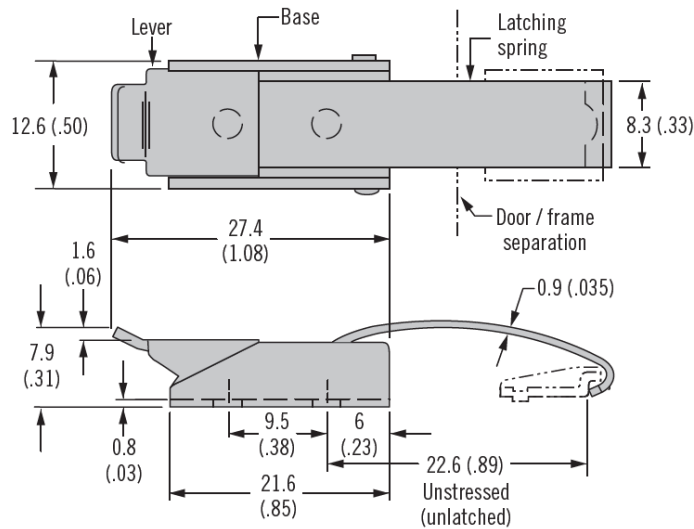
- Stainless steel or steel, zinc plated

Product Performance

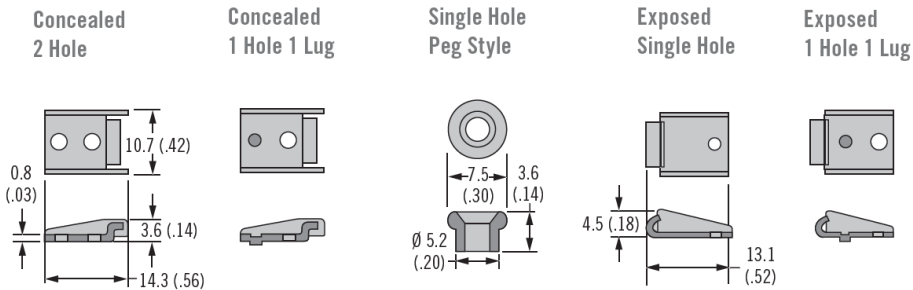
- Clamping force: 135 N

Installation Notes

- Install assembly with M3 round head screws or 3 rivets (not supplied)
- For peg style keeper use M3 flat head screws or rivets



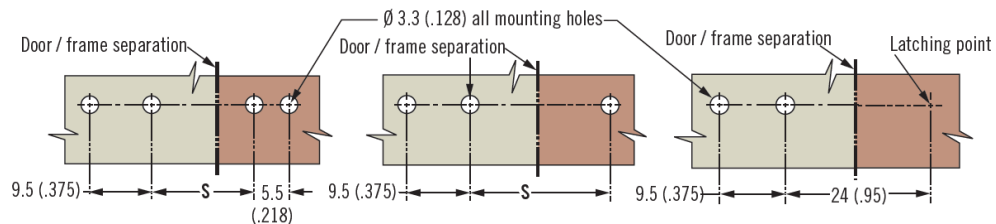
Keepers



Two Hole Keepers

Single Hole Keepers

Latch Only



Material	Part Number					
	Latch Only	Keepers				
		Concealed 2 Hole	Concealed 1 Hole 1 Lug	Single Hole Peg Style	Exposed Single Hole	Exposed 1 Hole 1 Lug
Steel	97-30-160-11	97-37-103-11	97-37-101-11	97-37-105-11	97-37-104-11	97-37-102-11
Stainless Steel	97-30-160-12	97-37-103-24	97-37-101-24	97-37-105-24	97-37-104-24	97-37-102-24
S Dimension		14.7 (.58)	14.7 (.58)	21.8 (.86)	33 (1.30)	27.4 (1.08)

97-50 Draw Latch

Over-center

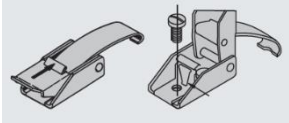
Features

- Multiple link and keeper options for application variances
- Secondary locking style available

Accessories

- Spring loaded secondary catch provides resistance against severe vibration and accidental opening.

- Steel: 97-58-101-11
- Stainless steel: 97-58-101-25



Material

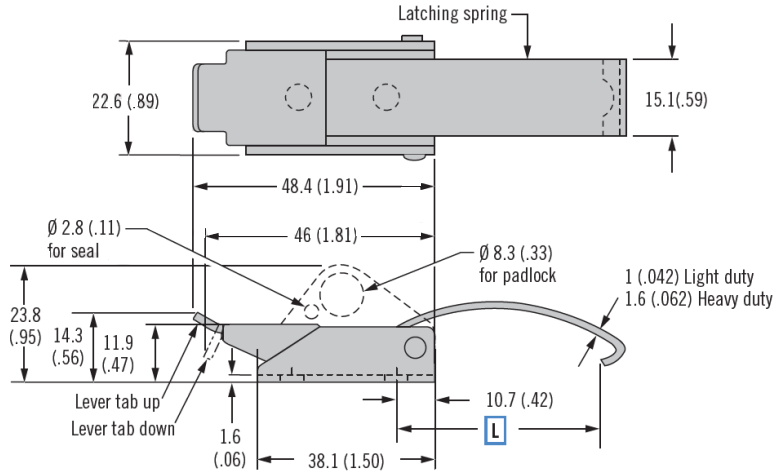
- Stainless steel, steel, zinc plated or steel, black powder coated

Product Performance

- Heavy-duty: Clamping force 670 N
- Light-duty: Clamping force 310 N

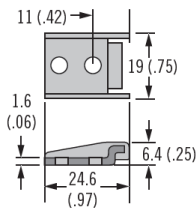
Installation Notes

- Install assembly with M4 round head screws or 4 rivets (not supplied). Peg needs flat head.

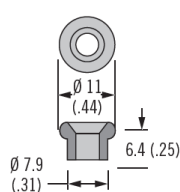


Keepers

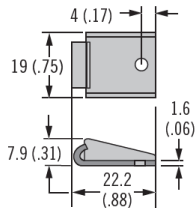
Concealed 2 Hole



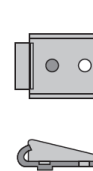
Single Hole Peg Style



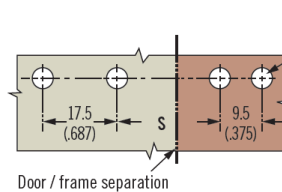
Exposed Single Hole



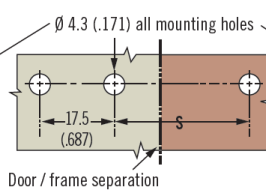
Exposed 1 Hole 1 Lug



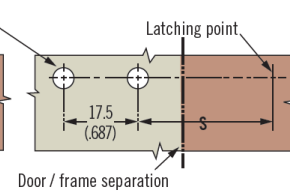
Two Hole Keepers



Single Hole Keepers



Latch Only



S Style

- 1 Lever tab up
- 2 Lever tab down
- 3 Padlockable (tab up)

L Latching spring length/thickness

- | | |
|-----------------------|-----------------------|
| 1 Short (light-duty) | 5 Short (heavy-duty) |
| 2 Medium (light-duty) | 6 Medium (heavy-duty) |
| 3 Long (light-duty) | 7 Long (heavy-duty) |

97 - 50 - S L 0 - 1 M

Part Number for Latch Only
(No Keeper)

M Material

- 1 Steel, zinc plated
- 2 Stainless steel (light-duty only)
- 5 Steel, black powder coated

southco®

Keeper Style	Keeper Part Number		S Dimension		
	Steel	Stainless Steel	Short Link L = 29.4 (1.16)	Medium Link L = 42.1 (1.66)	Long Link L = 54.8 (2.16)
Concealed 2 hole	97-57-103-11	97-57-103-24	15.9 (.63)	28.6 (1.13)	41.3 (1.63)
Single hole peg style	97-57-105-11	97-57-105-24	29.4 (1.16)	42.1 (1.66)	54.8 (2.16)
Exposed single hole	97-57-104-11	97-57-104-24	47.6 (1.88)	60.3 (2.38)	73.0 (2.88)
Exposed 1 hole 1 lug	97-57-102-11	97-57-102-24	38.1 (1.50)	50.8 (2.00)	63.5 (2.50)
Latch only			31.8 (1.25)	44.5 (1.75)	57.1 (2.25)

97-70 Draw Latch

Over-center

Features

- Multiple keeper options for application variances

Material

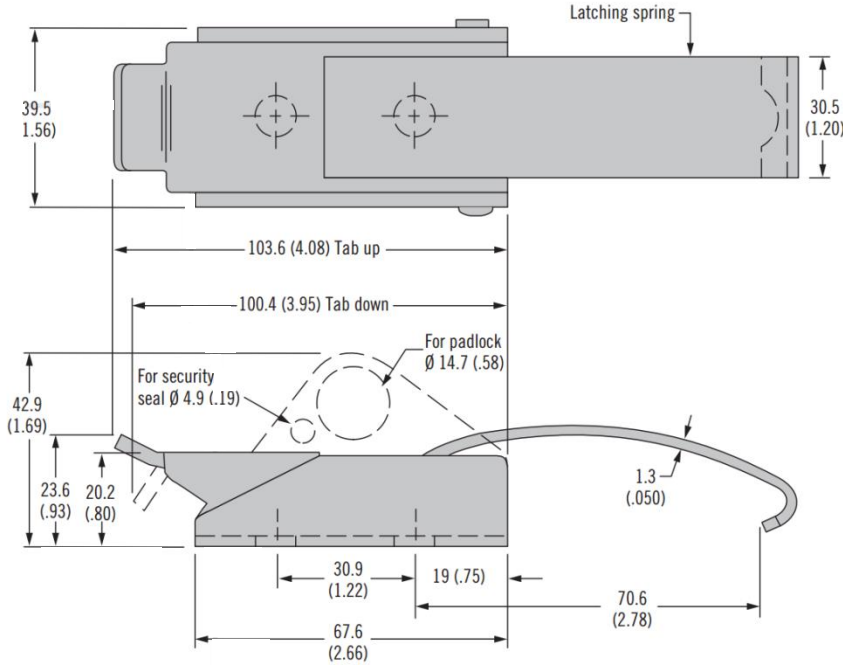
- Steel, zinc plated

Product Performance

- Clamping force: 645 N

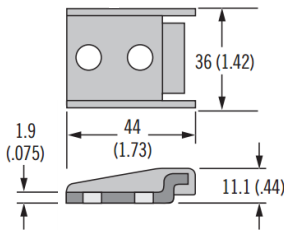
Installation Notes

- Install assembly with M6 round head screws (not supplied) or 6 rivets

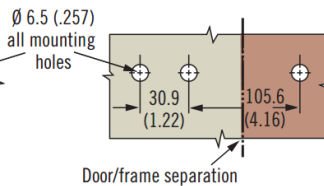
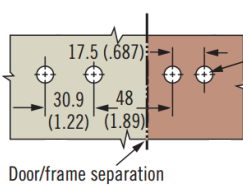
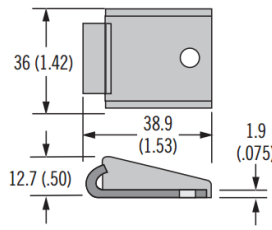


Keepers

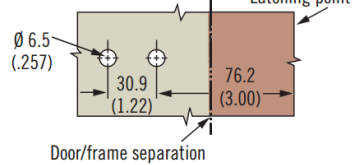
Concealed 2 Hole



Exposed Single Hole



Latch Only



Material	Latch Part Number		
	Lever Tab Up	Lever Tab Down	Padlockable
Steel	97-70-120-11	97-70-220-11	97-70-320-11

Material	Keeper Part Number	
	Concealed 2 Hole	Exposed Single Hole
Steel	97-77-103-11	97-77-104-11